

# Technical data sheet

## Product features



### Cooking range gas solid top with electric static oven

<b>Model</b>	<b>SAP Code</b>	00020281
--------------	-----------------	----------



- Device type: Combined unit
- Power consumption of the zone 1 [kW]: 9,2
- Ignition: Piezo + Eternal Flame
- Type of internal part of the appliance 1 (eg oven): Electric
- Type of internal part of the appliance 2 (eg oven): Static
- Material: AISI 304 top plate and cladding

<b>SAP Code</b>	00020281	<b>Power gas [kW]</b>	9.200
<b>Net Width [mm]</b>	800	<b>Type of gas</b>	Natural gas, propane butane
<b>Net Depth [mm]</b>	730	<b>Number of zones</b>	1
<b>Net Height [mm]</b>	900	<b>Power consumption of the zone 1 [kW]</b>	9,2
<b>Net Weight [kg]</b>	135.00	<b>Type of internal part of the appliance 1 (eg oven)</b>	Electric
<b>Power electric [kW]</b>	6.300	<b>Type of internal part of the appliance 2 (eg oven)</b>	Static
<b>Loading</b>	400 V / 3N - 50 Hz	<b>Solid top dimensions [mm x mm]</b>	800 x 580

# Technical data sheet

Technical drawing

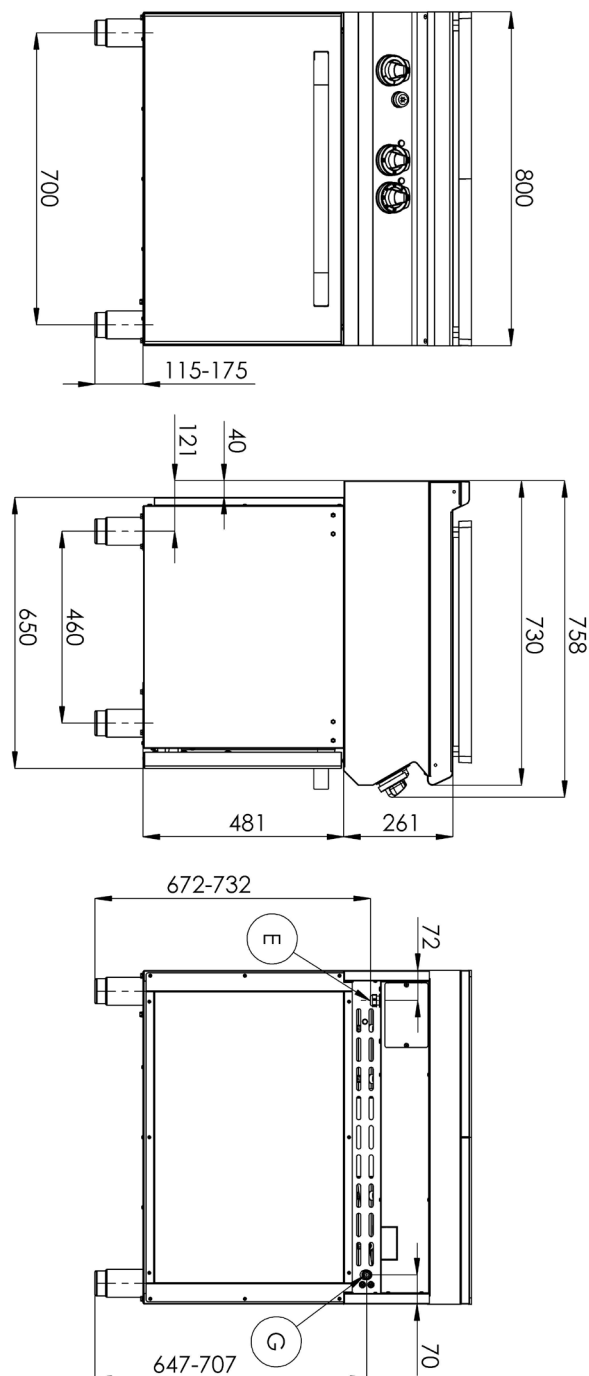


Cooking range gas solid top with electric static oven

Model

SAP Code

00020281



# Technical data sheet

Technical parameters



## Cooking range gas solid top with electric static oven

Model

SAP Code

00020281

**1. SAP Code:**

00020281

**2. Net Width [mm]:**

800

**3. Net Depth [mm]:**

730

**4. Net Height [mm]:**

900

**5. Net Weight [kg]:**

135.00

**6. Gross Width [mm]:**

860

**7. Gross depth [mm]:**

820

**8. Gross Height [mm]:**

1080

**9. Gross Weight [kg]:**

148.00

**10. Device type:**

Combined unit

**11. Construction type of device:**

Stationary

**12. Power electric [kW]:**

6.300

**13. Loading:**

400 V / 3N - 50 Hz

**14. Power gas [kW]:**

9.200

**15. Ignition:**

Piezo + Eternal Flame

**16. Type of gas:**

Natural gas, propane butane

**17. Device color:**

Stainless steel

**18. Material:**

AISI 304 top plate and cladding

**19. Worktop type:**

Molded - comfortable cleaning maintenance

**20. Worktop material:**

AISI 304

**21. Worktop Thickness [mm]:**

1.50

**22. Number of zones:**

1

**23. Power consumption of the zone 1 [kW]:**

9,2

**24. Service accessibility:**

Trough the frontal panel

**25. Safety thermocouple:**

Yes

**26. Adjustable feet:**

Yes

**27. Number of burners/hot plates:**

1

**28. Type of gas cooking zones:**

Thales

# Technical data sheet

Technical parameters



## Cooking range gas solid top with electric static oven

**Model**

**SAP Code**

00020281

**29. Oven Type:**

electrical static

**35. Maximum temperature of the inner chamber [Å°C]:**

300

**30. Oven power electric [kW]:**

6.30

**36. Minimum temperature of the inner chamber [Å°C]:**

50

**31. Oven size:**

GN 2/1

**37. Solid top thickness [mm]:**

30

**32. Type of internal part of the appliance 1 (eg oven):**

Electric

**38. Solid top dimensions [mm x mm]:**

800 x 580

**33. Type of internal part of the appliance 2 (eg oven):**

Static

**39. Solid top ignition:**

Piezo + Eternal Flame

**34. Gasket:**

Yes